



Lawn 1a, 1b & Muslim Lawn 1 Headstone Order form

All headstone order forms to be completed at the time of purchase.

Allotment Details				
Deceased Name				
Zone		Section		Allotment

Licence Holder/Applicant Details

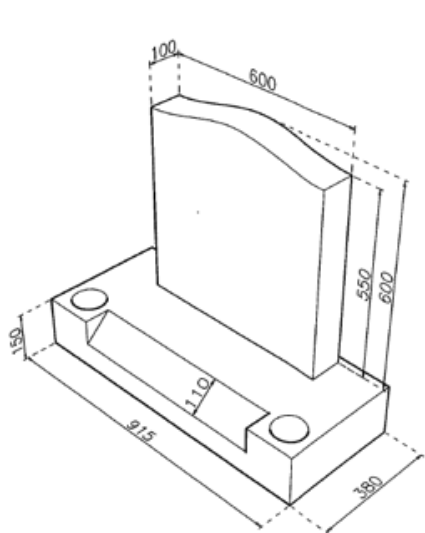
Licence Holder 1 / Applicant Details			
Name			
Address			
Phone		Email	
Signature		Date	

Licence Holder 2 / Applicant Details			
Name			
Address			
Phone		Email	
Signature		Date	

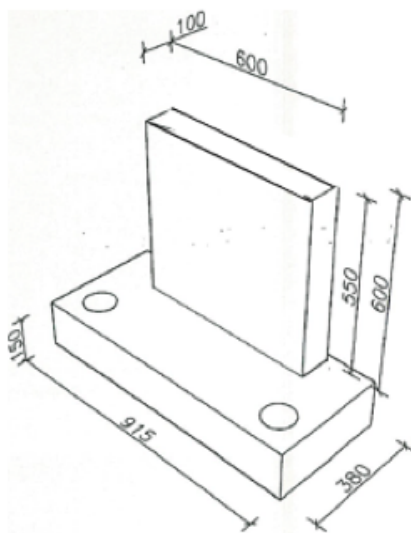
Please complete inscription details on the next page.

Instructions

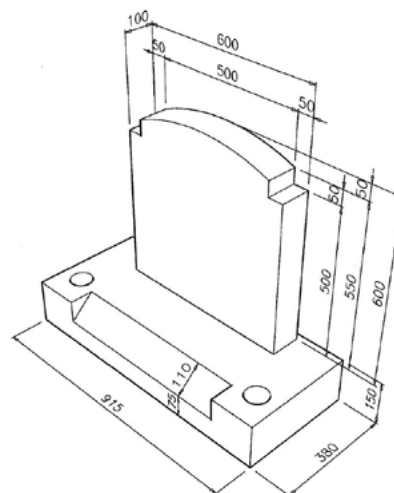
Select Headstone



Serp Top

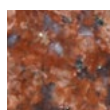


Square Top

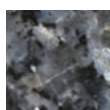


Checked Top

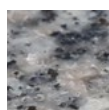
Select Granite Colour



Imperial Red
(included)



Blue Pearl



Light Grey



Glory Black



Select Insert Colour (if applicable)

Gold or silver insert only. Granite vase is not included.



Gold



Silver



Kindly send completed form to memorials@rookwoodcemetery.com.au